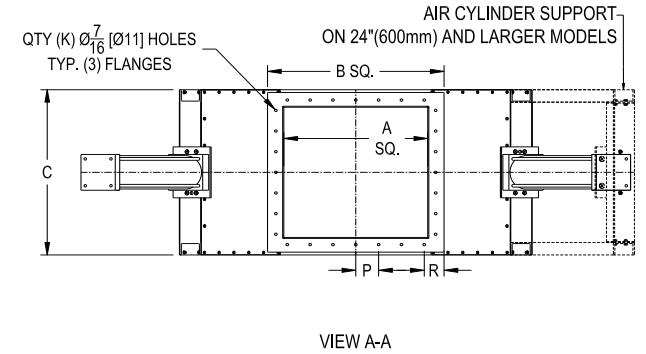
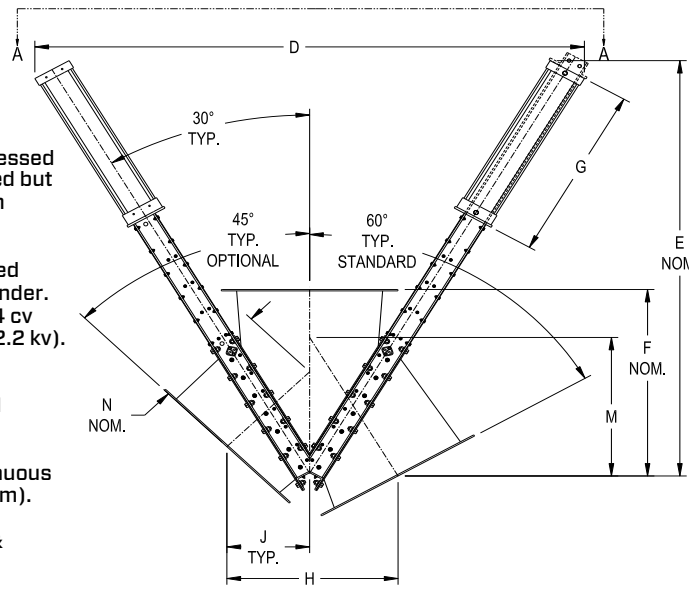


### Standard Assembly Unit Installation Data:

- Designed for dry material in gravity flow applications.
- **Actuation:** Double acting air cylinder. The air cylinders requires a minimum of 80 psig (5.4 bar), filtered, compressed air for most reliable service. Air lubrication is not required but is recommended for extended wear life. Magnetic piston included. Extending the air cylinder closes the gate.
- **Air Control:** A 2 position, 4 way lever or solenoid operated compressed air control is required to operate the air cylinder. Sizes 4-13 (100-325) require air controls with at least 1.4 cv (1.2 kv). Sizes 14-22 (350-550) require at least 2.6 cv (2.2 kv). sizes 24-30 (600-750) require at least 3.0 cv (4.3 kv).
- **Air Usage:** Calculated at 80 psig (5.4 bar) for 1 open or 1 closed stroke of the air cylinder.
- **Temperature:** Base model rated at 180° f (82° c) continuous service, 200° f (93° c) intermittent (10 minutes maximum).
- **Hardware:** Imperial models contain imperial hardware & metric models contain metric hardware.



Model	A		B		C		D		E		F		G		H		J		K Qty.	L		M		N	
	in	mm	in	mm	in	mm	in	mm	in	mm	in	mm	in	mm	in	mm	in	mm		in	mm	in	mm	in	mm
VA05V1-60 (VA125V1)	5	127	7 1/2	191	10	254	30 5/8	778	29 1/2	749	19 5/8	498	10 7/8	276	14 7/8	378	7 1/2	191	8	6 1/2	165	12 7/8	327	14 7/8	378
VA06V1-60 (VA150V1)	6	146	8 1/2	216	11	279	33 5/8	854	31 3/4	806	20 5/8	524	11 7/8	302	15 3/8	391	7 5/8	194	8	7 1/2	191	13 1/4	337	15 3/8	391
VA08V1-60 (VA200V1)	8	203	10 1/2	267	13	330	39 5/8	1006	36 3/8	924	23 1/2	597	13 7/8	352	16 3/4	425	8 3/8	213	8	9 1/2	241	14 1/2	368	16 3/4	425
VA10V1-60 (VA250V1)	10	248	12 1/2	318	15	381	45 5/8	1159	41 1/2	1054	26 1/2	673	15 7/8	403	18 3/4	476	9 3/8	238	8	11 1/2	292	16 1/4	413	18 3/4	476
VA12V1-60 (VA300V1)	12	298	15	381	17	432	51 5/8	1311	46 1/2	1181	29 1/8	740	17 7/8	454	20 1/2	521	10 1/4	260	12	13 7/8	352	17 3/4	451	20 1/2	521
VA14V1-60 (VA350V1)	14	349	17	432	19	483	57 7/8	1470	53 1/8	1349	34 3/4	883	19 7/8	505	24 1/8	613	12	305	12	15 7/8	403	20 7/8	530	24 1/8	613
VA15V1-60 (VA375V1)	15	381	18	457	20	508	60 7/8	1546	55 1/2	1410	36 3/4	933	20 7/8	530	25 1/8	638	12 1/2	318	16	16 7/8	429	21 3/4	552	25 1/8	638
VA16V1-60 (VA400V1)	16	406	19	483	21	533	63 3/4	1619	57 3/4	1467	38 5/8	981	21 7/8	556	25 5/8	651	12 3/4	324	16	18	457	22 1/8	562	25 5/8	651
VA18V1-60 (VA450V1)	18	457	22	559	23	584	69 3/4	1772	62 7/8	1597	40 1/4	1022	23 7/8	606	27 3/4	705	13 7/8	352	16	20	508	24	610	27 3/4	705
VA24V1-60 (VA600V1)	24	610	28	711	30	762	91 1/2	2324	82 1/8	2086	39 1/2	1003	33 3/4	857	35	889	17 1/2	445	20	26	660	30 1/8	765	35	889
VA05V1-45 (VA125V1)	5	121	7 1/2	191	10	254	30 5/8	778	27 1/8	689	17 1/4	438	10 7/8	276	16 5/8	422	8 3/8	213	8	6 1/2	165	8 3/8	213	11 3/4	298
VA06V1-45 (VA150V1)	6	146	8 1/2	216	11	279	33 5/8	854	29 3/8	746	18 1/4	464	11 7/8	302	17 1/8	435	8 5/8	219	8	7 1/2	191	8 5/8	219	12 1/8	308
VA08V1-45 (VA200V1)	8	197	10 1/2	267	13	330	39 5/8	1006	33 3/4	857	20 7/8	530	13 7/8	352	18 1/8	460	9 1/8	232	8	9 1/2	241	9 1/8	232	12 7/8	327
VA10V1-45 (VA250V1)	10	248	12 1/2	318	15	381	45 5/8	1159	38 5/8	981	23 5/8	600	15 7/8	403	20 1/2	521	10 1/4	260	8	11 1/2	292	10 1/4	260	14 1/2	368
VA12V1-45 (VA300V1)	12	298	15	381	17	432	51 5/8	1311	43 1/8	1095	25 3/4	654	17 7/8	454	21 7/8	556	10 7/8	276	12	13 7/8	352	10 7/8	276	15 3/8	391
VA14V1-45 (VA350V1)	14	349	17	432	19	483	57 7/8	1470	49 1/2	1257	31 1/8	791	19 7/8	505	26 7/8	683	13 1/2	343	12	15 7/8	403	13 1/2	343	19	483
VA15V1-45 (VA375V1)	15	375	18	457	20	508	60 7/8	1546	51 5/8	1311	32 7/8	835	20 7/8	530	27 1/2	699	13 3/4	349	16	16 7/8	429	13 3/4	349	19 1/2	495
VA16V1-45 (VA400V1)	16	400	19	483	21	533	63 3/4	1619	53 7/8	1368	34 3/8	873	21 7/8	556	27 1/2	699	13 3/4	349	16	18	457	13 3/4	349	19 3/8	492
VA18V1-45 (VA450V1)	18	451	22	559	23	584	69 3/4	1772	58	1473	35 3/8	899	23 7/8	606	29	737	14 1/2	368	16	20	508	14 1/2	368	20 1/2	521
VA24V1-45 (VA600V1)	24	603	28	711	30	762	91 1/2	2324	75 3/4	1924	33 1/4	845	33 3/4	857	35 5/8	905	17 3/4	451	20	26	660	17 3/4	451	25 1/8	638

\*Information subject to change without notice | Above information is Vortex standard dimensional information | Contact us if your application needs a non-standard valve | Available specifications and modifications available at [www.vortexvalves.com](http://www.vortexvalves.com)