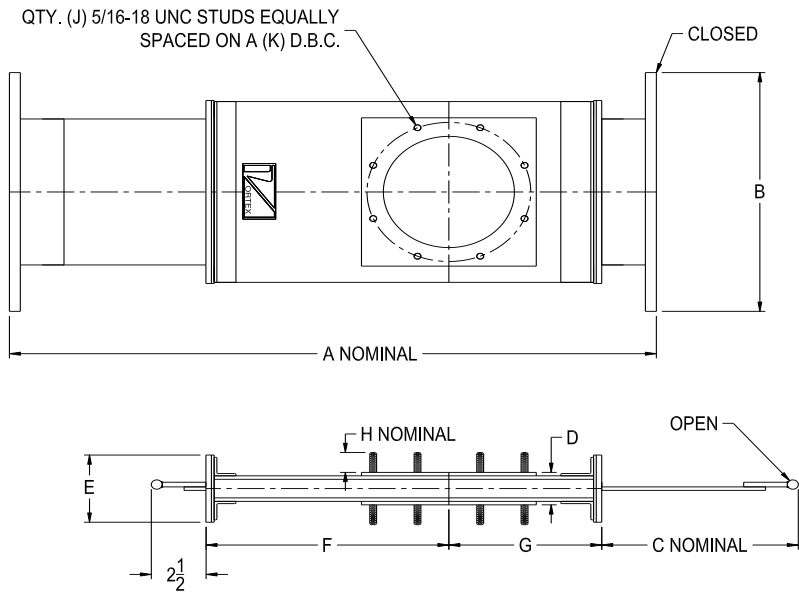
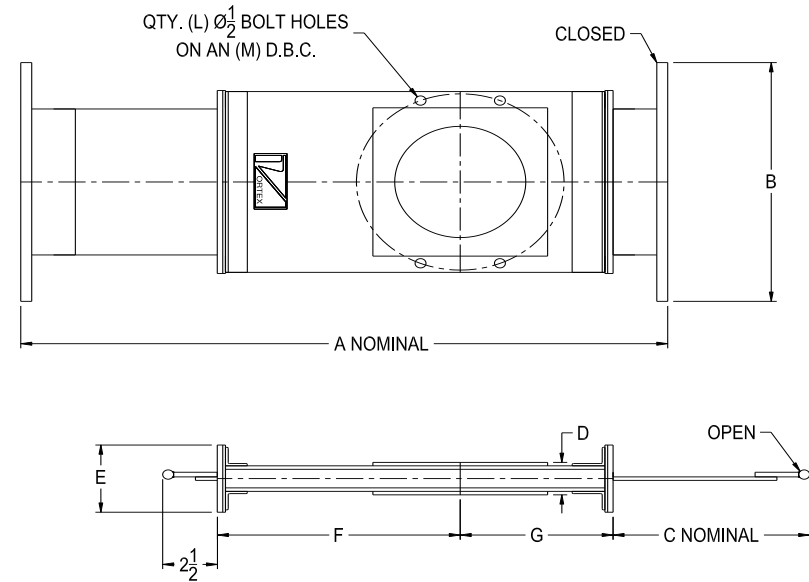


STUD BOLT FLANGED TUBE CONNECTION



OPTIONAL (-P) MODIFICATION BOLT-THROUGH PIPE FLANGE CONNECTION



BASE VALVE	A		B		C		D		E		F		G		H		J		K		L		M		WEIGHT	
	in	mm	in	mm	in	mm	in	mm	in	mm	in	mm	in	mm	in	mm	in	mm	in	mm	in	mm	in	mm	Lbs	Kg
HS02	16 1/8	410	8 7/8	225	5	127	1 3/4	44	3 1/2	89	4 3/4	121	3 7/8	98	1 1/8	29	4	102	3 7/8	98	2	51	4 3/4	121	10	5
HS03	19 1/4	489	10 1/8	257	6	152	1 3/4	44	3 5/8	92	6 1/4	159	4 1/2	114	1 1/8	29	4	102	5	127	2	51	6	152	12	6
HS04	22 5/8	575	11 1/8	283	7 1/8	181	1 3/4	44	3 1/2	89	8	203	5	127	1 1/8	29	6	152	5 1/2	140	4	102	7 1/2	191	16	7
HS05	26	660	11 7/8	302	8	203	1 3/4	44	3 5/8	92	10 5/8	270	5 7/8	149	1 1/8	29	8	203	6 1/2	165	4	102	8 1/2	216	20	9
HS06	29 5/8	752	12 7/8	327	9	229	1 3/4	44	3 5/8	92	11 1/8	283	7	178	1 1/8	29	8	203	7 1/2	191	4	102	9 1/2	241	27	12
HS08	35 1/2	902	14 7/8	378	11 1/4	286	1 3/4	44	3 1/2	89	14 1/8	359	7 7/8	200	1 1/8	29	8	203	9 1/2	241	4	102	11 3/4	298	35	16
HS10	41 5/8	1057	16 7/8	429	13	330	1 3/4	44	3 5/8	92	17 1/4	438	8 7/8	225	1 1/4	32	8	203	11 1/2	292	4	102	14 1/4	362	60	27
HS12	47 3/4	1213	18 7/8	479	15	381	1 7/8	48	4 3/4	121	20 1/8	511	9 7/8	251	1 1/4	32	12	305	13 13/16	351	4	102	17	432	72	33

*Information subject to change without notice | Above information is Vortex standard dimensional information | Contact us if your application needs a non-standard valve | Available specifications and modifications available at www.vortexvalves.com