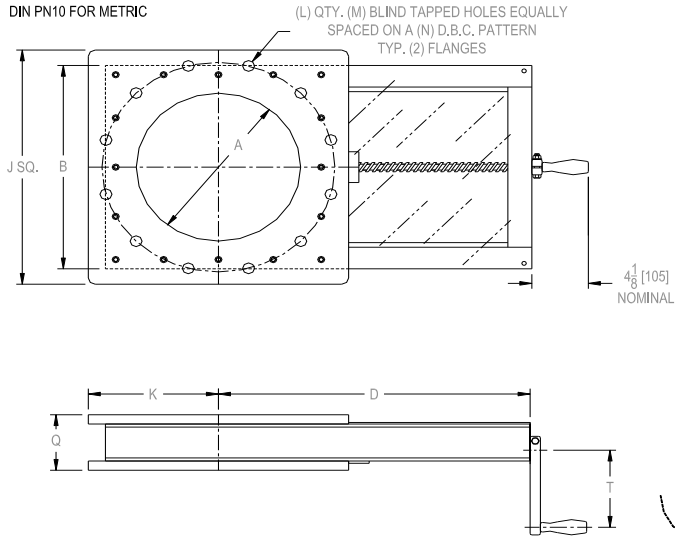
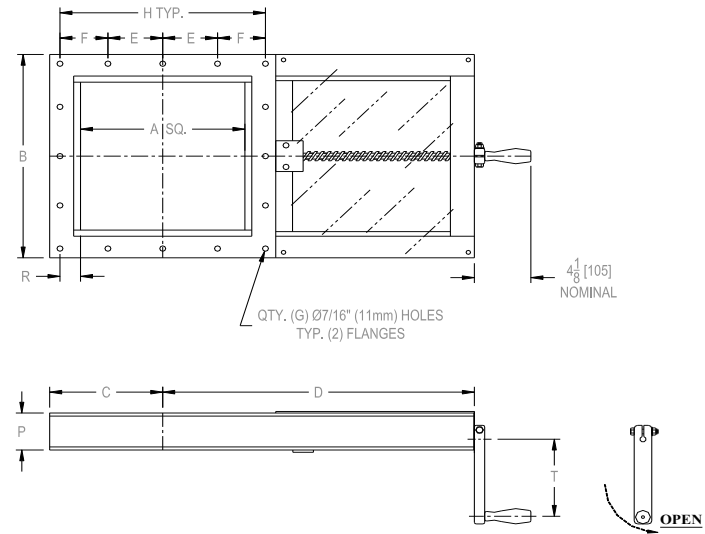


MRC SERIES MAINTENANCE GATE VALVE

FLANGE PATTERN:
ANSI 125/150# FOR IMPERIAL
DIN PN10 FOR METRIC



MSC SERIES MAINTENANCE GATE VALVE



| Model | A | | B | | C | | D | | E | | F | | G | | H | | J | | K | | L | | M | |
|----------|----|-----|--------|-----|--------|-----|--------|-----|-------|-----|-------|----|----|----|----|-----|--------|-----|--------|-----|----|----|-----------|-----------|
| | in | mm | in | mm | in | mm | in | mm | in | mm | in | mm | in | mm | in | mm | in | mm | in | mm | in | mm | in | mm |
| 6 150 | 6 | 152 | 10 1/2 | 267 | 5 1/4 | 133 | 13 3/4 | 349 | 4 1/2 | 114 | -- | -- | 8 | 8 | 9 | 229 | 11 | 279 | 5 1/2 | 140 | 8 | 8 | 3/4 UNC | M20 x 2.5 |
| 8 200 | 8 | 203 | 12 1/2 | 318 | 6 1/4 | 159 | 16 3/4 | 425 | 5 1/2 | 140 | -- | -- | 8 | 8 | 11 | 279 | 13 1/2 | 343 | 6 3/4 | 171 | 8 | 8 | 3/4 UNC | M20 x 2.5 |
| 10 250 | 10 | 254 | 14 1/2 | 368 | 7 1/4 | 184 | 19 3/4 | 502 | 3 1/4 | 83 | -- | -- | 16 | 16 | 13 | 330 | 16 | 406 | 8 | 203 | 12 | 12 | 7/8 UNC | M20 x 2.5 |
| 12 300 | 12 | 305 | 16 1/2 | 419 | 8 1/4 | 210 | 22 3/4 | 578 | 4 | 102 | 3 1/2 | 89 | 16 | 16 | 15 | 381 | 19 | 483 | 9 1/2 | 241 | 12 | 12 | 7/8 UNC | M20 x 2.5 |
| 14 350 | 14 | 356 | 18 1/2 | 470 | 9 1/4 | 235 | 25 3/4 | 654 | 4 1/4 | 108 | -- | -- | 16 | 16 | 17 | 432 | 21 | 533 | 10 1/2 | 267 | 12 | 16 | 1 UNC | M20 x 2.5 |
| 16 400 | 16 | 406 | 21 1/2 | 546 | 10 3/4 | 273 | 28 3/4 | 730 | 4 3/4 | 121 | -- | -- | 16 | 16 | 19 | 483 | 23 1/2 | 597 | 11 3/4 | 298 | 16 | 16 | 1 UNC | M24 x 3.0 |
| 18 450 | 18 | 457 | 23 1/2 | 597 | 11 3/4 | 298 | 31 3/4 | 806 | 5 1/4 | 133 | -- | -- | 16 | 16 | 21 | 533 | 25 | 635 | 12 1/2 | 318 | 16 | 20 | 1-1/8 UNC | M24 x 3.0 |

| Model | N | | P | | Q | | R | | T | | MSC WEIGHT | | MRC WEIGHT | |
|----------|--------|-----|----|-----|-------|-----|-------|----|--------|-----|------------|----|------------|----|
| | in | mm | in | mm | in | mm | in | mm | in | mm | Lbs | Kg | Lbs | Kg |
| 6 150 | 9 1/2 | 240 | 3 | 76 | 4 1/2 | 114 | 1 1/2 | 38 | 4 1/4 | 108 | 15 | 7 | 76 | 34 |
| 8 200 | 11 3/4 | 295 | 3 | 76 | 4 1/2 | 114 | 1 1/2 | 38 | 4 1/4 | 108 | 23 | 10 | 82 | 37 |
| 10 250 | 14 1/4 | 350 | 3 | 76 | 4 1/2 | 114 | 1 1/2 | 38 | 6 1/4 | 159 | 30 | 14 | 100 | 45 |
| 12 300 | 17 | 400 | 3 | 76 | 4 1/2 | 114 | 1 1/2 | 38 | 6 1/4 | 159 | 35 | 16 | 130 | 59 |
| 14 350 | 18 3/4 | 460 | 3 | 76 | 4 1/2 | 114 | 1 1/2 | 38 | 6 1/4 | 159 | 42 | 19 | 165 | 75 |
| 16 400 | 21 1/4 | 515 | 4 | 102 | 5 1/2 | 140 | 1 1/2 | 38 | 8 1/4 | 210 | 49 | 22 | 201 | 91 |
| 18 450 | 22 3/4 | 565 | 4 | 102 | 5 1/2 | 140 | 1 1/2 | 38 | 10 1/4 | 260 | 60 | 27 | 215 | 97 |



*Information subject to change without notice | Above information is Vortex standard dimensional information | Contact us if your application needs a non-standard valve | Available specifications and modifications available at www.vortexvalves.com